

A **Nidec** Group Company

Sankyo

All for dreams

USB BUS powered DIP Card Reader ICM370-3R1896

USB BUS
POWERD DIP



■ Applications

- 1) ATM
- 2) Payment KIOSK
- 3) POS terminal

■ Features

- 1) USB BUS powered Hybrid DIP type card reader
- 2) High readability for magnetic card
- 3) EMV V.4.3 Level 1 Approved
- 4) 1 SAM available, 4 more SAMs possible (Another option board)

■ Specification

| | |
|-------------------|---|
| IC card | EMV credit card ISO/IEC 7816 part 1-3 T=0 & 1 card |
| Magnetic card | ISO/IEC 7810,7811 card (Tr. 1,2 & 3) |
| Power Supply | +5V DC |
| Interface Signals | USB |
| Unit Life | More than 1,200,000 passes |
| Dimensions | 80mm(W) × 138.3mm(D) × 50mm(H) |
| Weight | 130g approx |

Sankyo

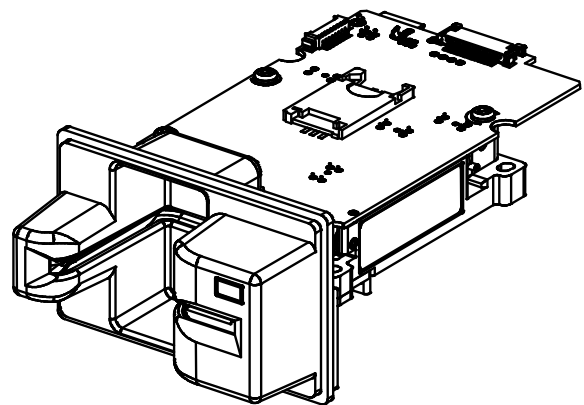
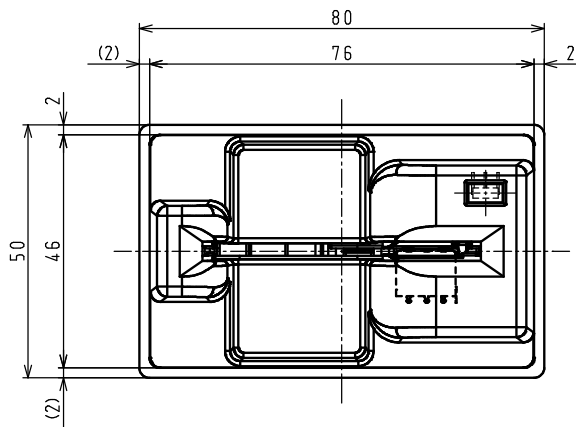
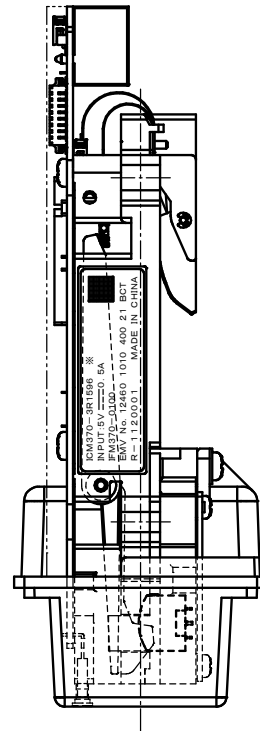
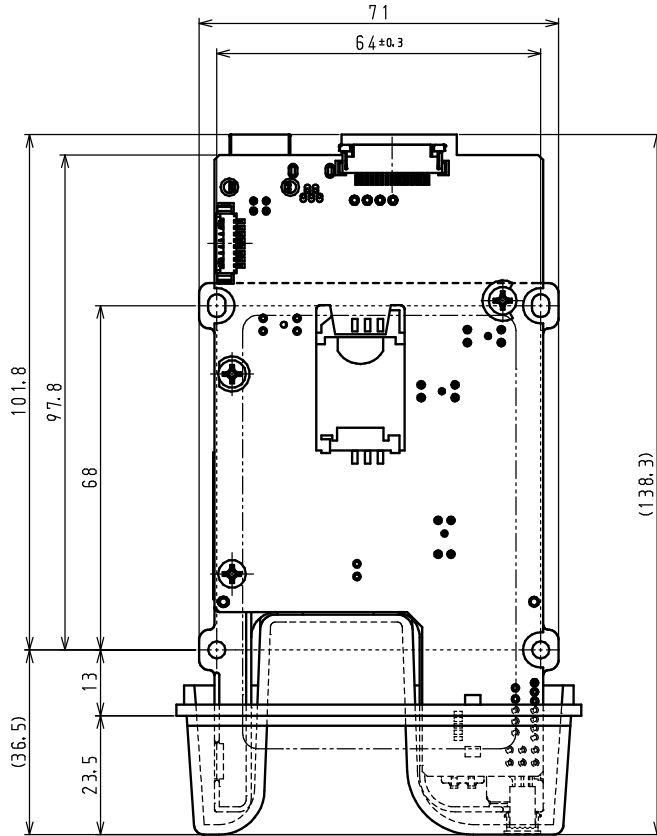
NIDEC SANKYO ELECTRONICS (SHANGHAI) CORPORATION
12F B-TOWER, No.100 ZunYi Road, Shanghai, China, 200051
Tel: 021-5275-3290 Fax: 021-5276-9119
e-mail:shanghai-crd-sales@nidec-sankyo.co.jp

A **Nidec** Group Company

Sankyo

All for dreams

USB BUS powered DIP Card Reader ICM370-3R1896



Sankyo

NIDEC SANKYO ELECTRONICS (SHANGHAI) CORPORATION

12F B-TOWER, No.100 ZunYi Road, Shanghai, China, 200051

Tel: 021-5275-3290 Fax: 021-5276-9119

e-mail: shanghai-crd-sales@nidec-sankyo.co.jp